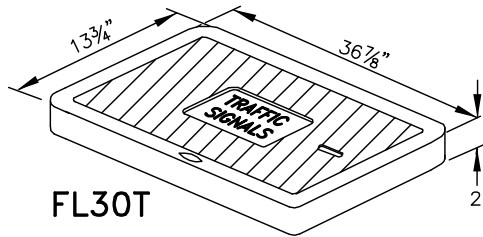
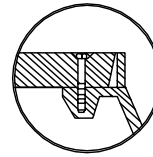


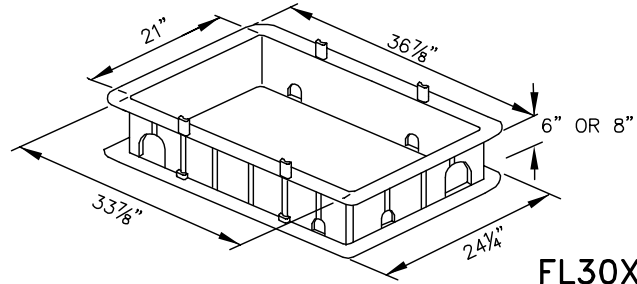
**"T" LIDS**



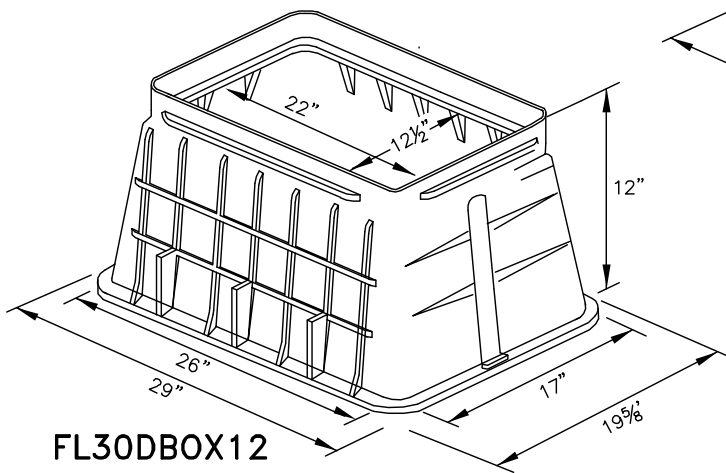
**FL30T**



**STRAIGHT TYPE PENTAHEAD  
BOLT FOR "T" BOX**



**FL30X8**



**FL30DBOX12**

**NOTES:**

1. SEE CITY OF GLENDALE SPECIFICATIONS FOR PULL BOX MATERIAL REQUIREMENTS.
2. SEE STANDARD T2-10 FOR TYPICAL PULL BOX INSTALLATION DETAILS.
3. COVER LETTERING SHALL BE 1" LETTERS. LETTERING SHALL READ "TRAFFIC SIGNALS" FOR TRAFFIC SIGNAL BOXES OR "COG COMMUNICATIONS" FOR ITS/INTERTIE/FIBEROPTIC PULL BOXES.
4. ALL HARDWARE REQUIRED TO SECURE THE LID SHALL BE SUPPLIED BY THE CONTRACTOR.

**SPECIFICATIONS  
FIBRELYTE FL30 BOX 13"X24" (NO. 5)**

SPECIFICATIONS OF ACCEPTABLE FIBRELYTE PRODUCTS

CHRISTY ORDERING CODE	ITEM	DESCRIPTION
FL30BOX12	BOX	30FL BOX (13"X24" I.D. X 12" HIGH)
FL30T	LID	30FLT FIBRELYTE LID, BOLT DOWN
FL30X8	EXTENSION	30FL 8" HIGH EXTENSION

**SIGNATURES  
ON FILE**



CITY OF GLENDALE  
TRAFFIC SIGNAL AND ITS STANDARDS

NO. 5 FIBRELYTE PULL BOX

REVISION:  
6/2007

T2-5