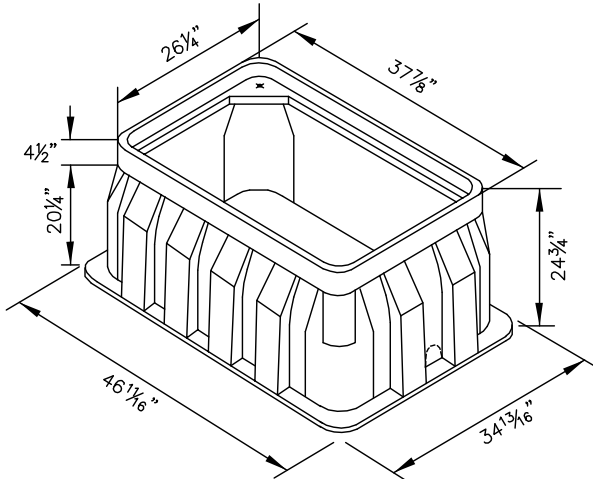


SYN2436T LID



SYN2436T BOX

**NOTES:**

1. SEE CITY OF GLENDALE SPECIFICATIONS FOR PULL BOX MATERIAL REQUIREMENTS.
2. SEE STANDARD T2-10 FOR TYPICAL PULL BOX INSTALLATION DETAILS.
3. SEE STANDARD T2-1 FOR LIFT EYE SLOT DETAIL.
4. COVER LETTERING SHALL BE 1" LETTERS. LETTERING SHALL READ "TRAFFIC SIGNALS" FOR TRAFFIC SIGNAL BOXES OR "COG COMMUNICATIONS" FOR ITS/INTERTIE/FIBEROPTIC PULL BOXES.
5. ALL HARDWARE REQUIRED TO SECURE THE LID SHALL BE SUPPLIED BY THE CONTRACTOR.
6. ALL DIMENSIONS SHOWN ARE APPROXIMATE
7. THIS IS NOT A TRAFFIC RATED BOX.

## SPECIFICATIONS 24"X36" (NO. 8) PULL BOX

SPECIFICATIONS OF ACCEPTABLE SYNERTECH PRODUCTS

CHRISTY ORDERING CODE	ITEM	DESCRIPTION
SYN2436TBOX18	BOX	SYN2436 BOX (24"X36"X18" HIGH) - 12 PER PALLET
SYN2436TBOX24	BOX	SYN2436 BOX (24"X36"X24" HIGH) - 10 PER PALLET
SYN2436TBOX36	BOX	SYN2436 BOX (24"X36"X36" HIGH) - 8 PER PALLET
SYN2436T	LID	SYNERTECH LID, BOLT DOWN

**SIGNATURES  
ON FILE**



CITY OF GLENDALE  
TRAFFIC SIGNAL AND ITS STANDARDS

NO. 8 PULL BOX

REVISION:  
6/2007

T2-8