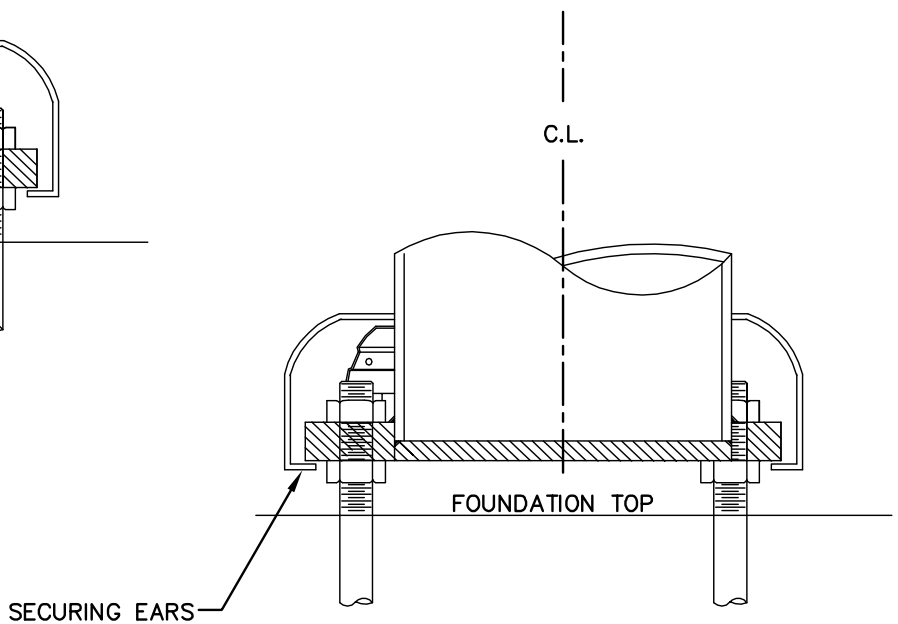


SECTION A-A



SECTION B-B

POLE SHAFT DIAMETER ($\frac{1}{2}$ " INCREMENTS)	MAXIMUM PLATE SQUARE (INCHES)	MAXIMUM COVER HEIGHT (INCHES)
6 $\frac{1}{2}$ " - 9 $\frac{1}{2}$ "	12 $\frac{3}{4}$ "	7"
10" - 11 $\frac{1}{2}$ "	14 $\frac{3}{4}$ "	7"
12" - 12 $\frac{1}{2}$ "	18"	7"

SIGNATURES
ON FILE



CITY OF GLENDALE
TRAFFIC SIGNAL AND ITS STANDARDS

TWO PIECE BASE COVER

REVISION:
2/2008

T5-14