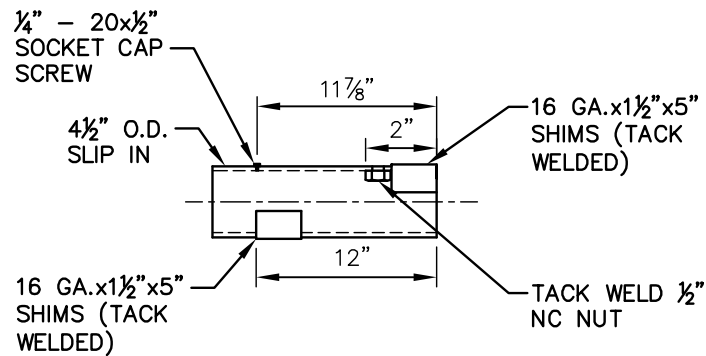
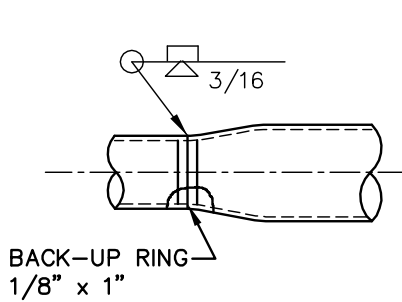


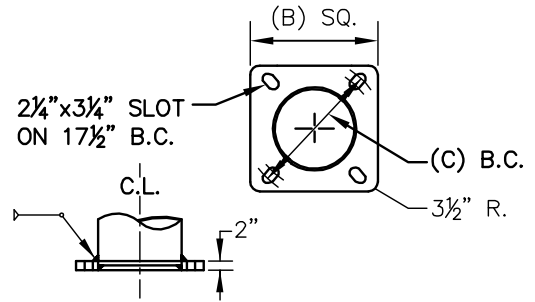
MAST ARM END DETAIL



EXTENSION END DETAIL



REDUCER DETAIL



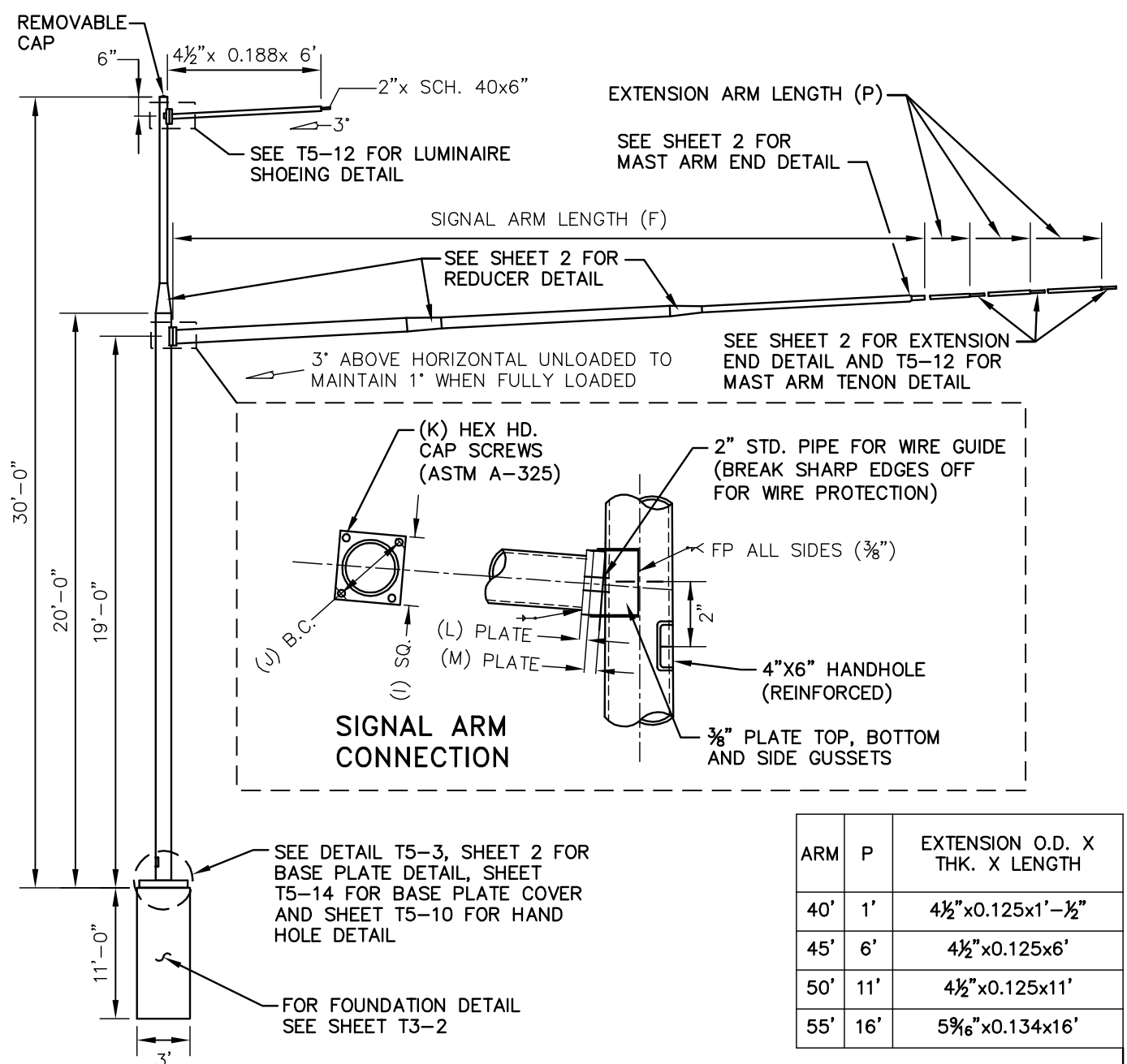
BASE PLATE DETAIL

SIGNATURES
ON FILE



CITY OF GLENDALE
TRAFFIC SIGNAL AND ITS STANDARDS
TYPE Q108 SIGNAL POLE
AND MAST ARM

REVISION:
2/2008
T5-3
2 OF 2



NOTE:
 1. POLES TO BE INSTALLED ON EXISTING FOUNDATIONS WILL HAVE BOLT CIRCLE FIELD VERIFIED BY CONTRACTOR, PRIOR TO ORDERING.

ARM	P	EXTENSION O.D. X THK. X LENGTH
40'	1'	4½"x0.125x1'-½"
45'	6'	4½"x0.125x6'
50'	11'	4½"x0.125x11'
55'	16'	5⅝"x0.134x16'

F	1ST SECTION I.D.xTHK.xLENGTH	2ND SECTION I.D.xTHK.xLENGTH	3RD SECTION I.D.xTHK.xLENGTH
39'-6"	10¾"x0.250x13'-4"	8⅝"x0.250x13'-4"	6⅝"x0.250x10'-1"

POLE TYPE	ARM E	POLE DATA			LUMINAIRE RISER	SIGNAL ARM CONNECTION DATA				
		I.D.x THK.x LENGTH	B	C	I.D.x THK.x LENGTH	I	J	K	L	M
Q108	40-55	12¾"x0.312x20'	18"	17½" SLOT	10¾"x0.188x10'	15"	15½"	1¾"x7NCx3½"	1¾"	1¾"

PAINT V54 - BLACK (4 MIL DRY)

SIGNATURES ON FILE



CITY OF GLENDALE
 TRAFFIC SIGNAL AND ITS STANDARDS
 TYPE Q108 SIGNAL POLE AND MAST ARM

REVISION:
 2/2008
 T5-3
 1 OF 2